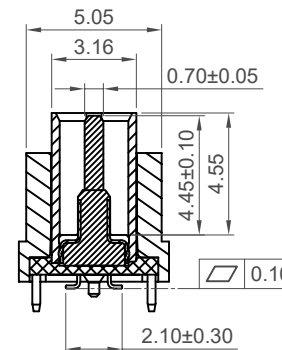
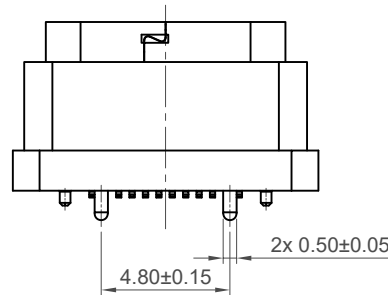
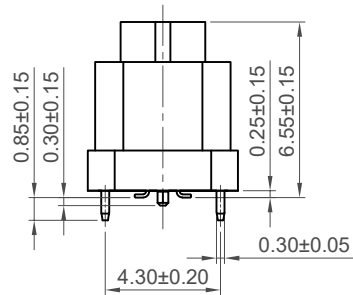
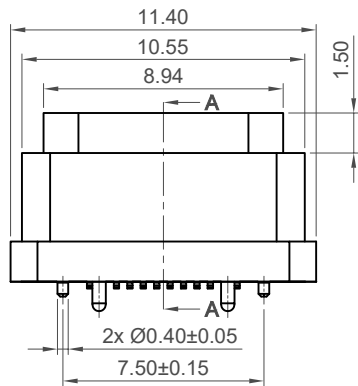
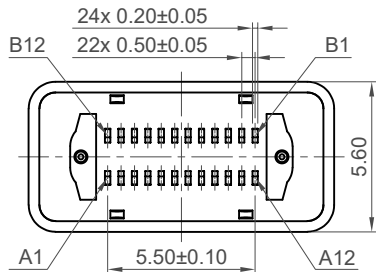


Recommended PCB Layout
Thickness 1.00±0.10mm
Tolerance: ±0.05mm

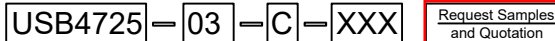
■ Solder Area □ Component Outline



Section: A-A



Ordering Grid



Request Samples and Quotation

Contact Plating

03 = 3µ" Gold

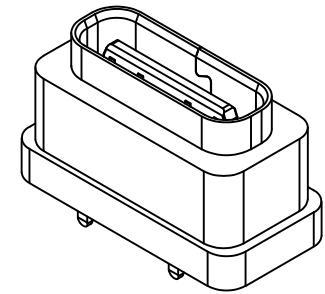
Packing Options

C = Tape & Reel With Cap
(600 per reel)

Gasket Options

KIT = Includes Gasket: USBTJ-04
Blank = Connector Only (Without gasket)

Pin	Signal	Mating Sequence	Pin	Signal	Mating Sequence
A1	GND	First	B12	GND	First
A2	SSTXp1	Second	B11	SSRXp1	Second
A3	SSTXn1	Second	B10	SSRXn1	Second
A4	Vbus	First	B9	Vbus	First
A5	CC1	Second	B8	SBU2	Second
A6	Dp1	Second	B7	Dn2	Second
A7	Dn1	Second	B6	Dp2	Second
A8	SBU1	Second	B5	CC2	Second
A9	Vbus	First	B4	Vbus	First
A10	SSRXn2	Second	B3	SSTXn2	Second
A11	SSRXp2	Second	B2	SSTXp2	Second
A12	GND	First	B1	GND	First
SHELL	GND		SHELL	GND	



Specifications

Material

Insulator: LCP, UL 94V-0, Black
Plastic Shell: PA10T, UL 94V-0, Black
Contact: Copper Alloy
Shell: Stainless Steel
Mid Plate: Stainless Steel
EMI Plate: Stainless Steel
Gasket: Silicone Rubber, Part No.: USBTJ-04, Shore Hardness 60A
(Gasket+Connector can be ordered separately or together as a KIT)

Plating

Contact
Contact Area: 3µ" Gold
Solder Tails: Gold Flash
Underplating: 50µ" min. Nickel
Shell: 30µ" min. Nickel
Mid Plate: Clear
EMI Plate: 30µ" min. Nickel

Electrical

Current Rating: 5.00A collectively for Vbus pins
6.25A collectively for GND pins
1.25A for A5/B5 pin
0.25A per pin for all other pins

Voltage Rating: 48V DC

Power Rating: 240W

Contact Resistance: 40mΩ max initial.
50mΩ max after test

Dielectric Withstanding Voltage: 100V AC

Insulation Resistance 100MΩ min

Mechanical & Environmental

Operating Temperature: -25°C to +85°C

Mating Force: 5 to 20 N.

Unmated Force: 6 to 20 N after test

Durability: 20,000 cycles

Ingress Protection Rating: IP67

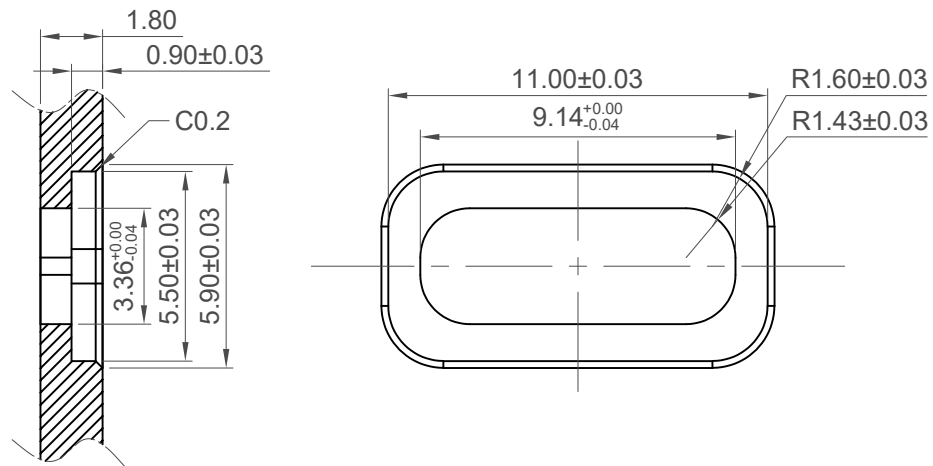
Part Number		Product Description	
USB4725		USB3.2 Gen2 Type C Receptacle, Vertical, SMT, IP67, 24 Pin	
Drawing Date		10th September 2024	
By	CC	Tolerances (Except as Noted)	Units:
Detail	Drawing Release	Length	Metric (mm)
Revision	A	Angle	±3°
Date	10/09/24	X.X ± 0.30	
		X.XX ± 0.20	
		X.XXX ± 0.10	



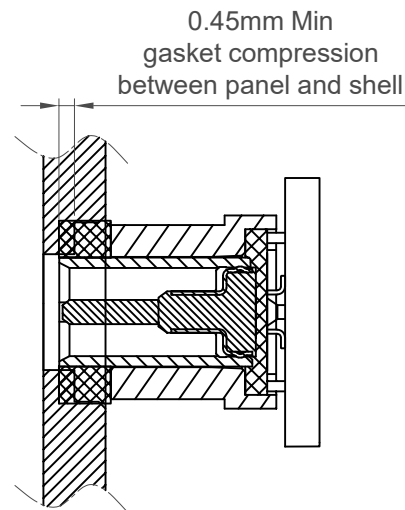
This drawing is confidential and copyright of Global Connector Technology, Ltd (GCT). This drawing must not be copied or disclosed without written consent. E & OE



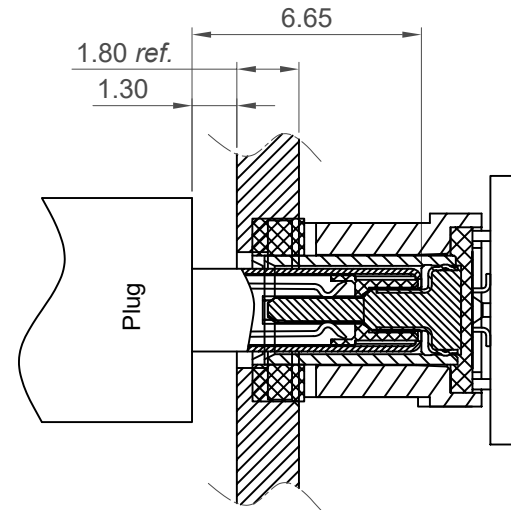
Not to Scale	Drawn By KY	Sheet No. 1/4
--------------	-------------	---------------



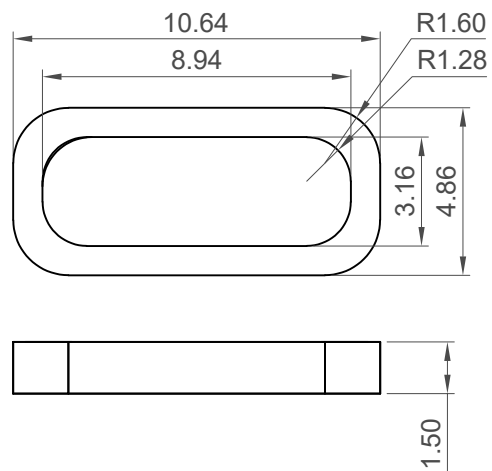
Recommended Panel Spec



Suggest compression 30-40% of gasket thickness

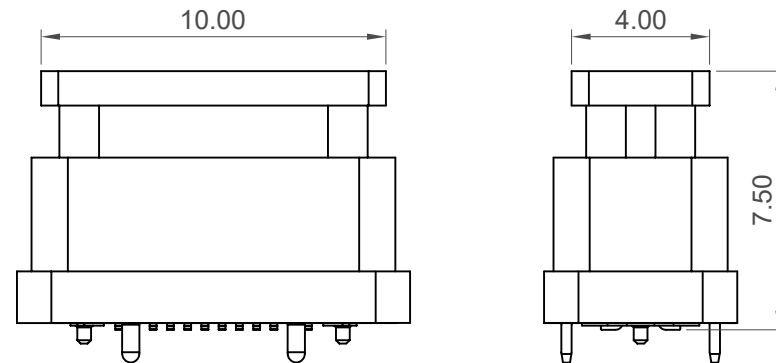


Plug and Receptacle Mating View




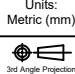


Recommended Waterproof Gasket

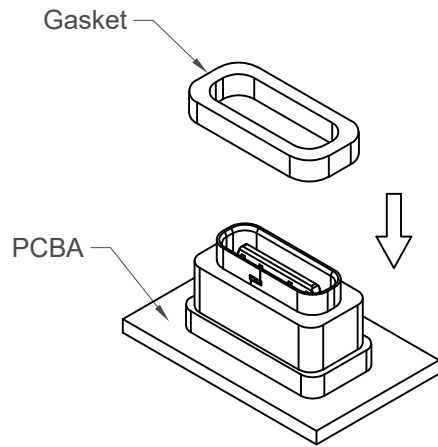
Gasket Part No.: USBTJ-04
(Gasket+Connector can be ordered separately or together as a KIT)
(See separate datasheet for specification)



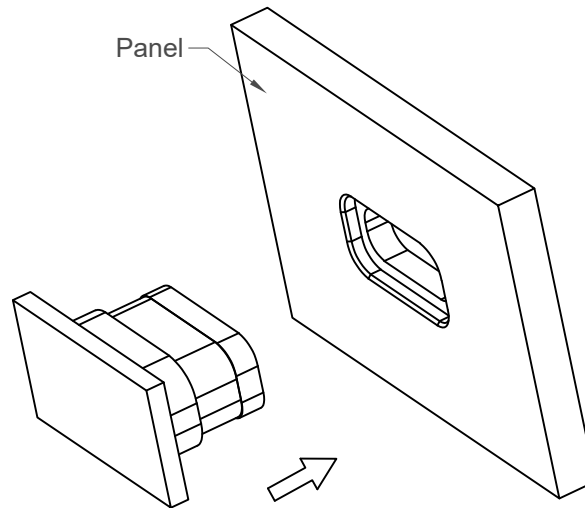
Cap Information

Part Number		Product Description		 www.gct.co
USB4725		USB3.2 Gen2 Type C Receptacle, Vertical, SMT,		
Drawing Date		IP67, 24 Pin		
10th September 2024				
By	CC	Tolerances (Except as Noted)	Units:	  This drawing is confidential and copyright of Global Connector Technology, Ltd (GCT). This drawing must not be copied or disclosed without written consent. E & OE
Detail	Drawing Release	Length	Metric (mm)	
Revision	A	Angle	±3°	
Date	10/09/24	X.X ± 0.30		
		X.XX ± 0.20		Not to Scale
		X.XXX ± 0.10		Drawn By
				KY
				Sheet No.
				2/4

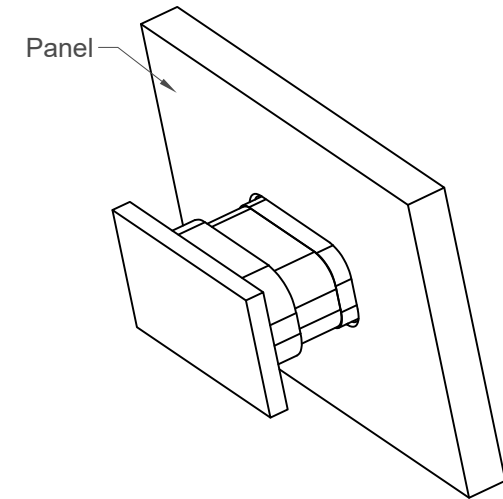
H
G
F
E
D
C
B
A



Step 1



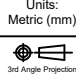



Step 2



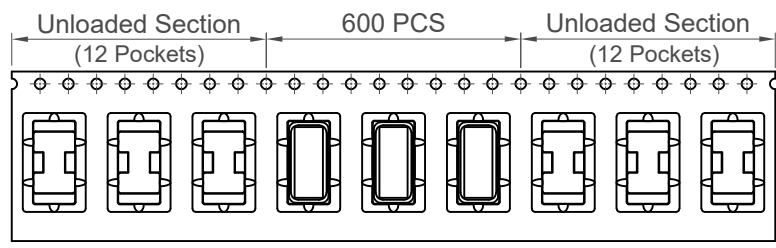
Step 3

Assembly instruction for Gasket set after Reflow
Available for Type C Receptacle Waterproof Series

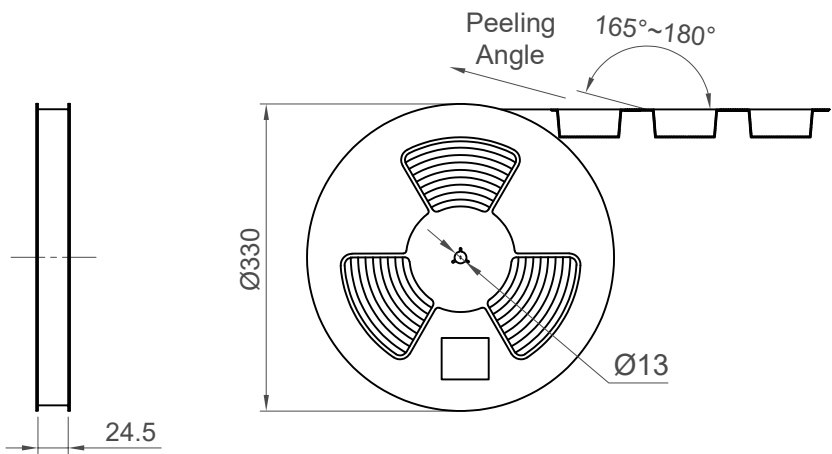
Part Number		Product Description		 www.gct.co
USB4725		USB3.2 Gen2 Type C Receptacle, Vertical, SMT,		
Drawing Date		IP67, 24 Pin		
10th September 2024				
By	CC	Tolerances (Except as Noted)		
Detail	Drawing Release	Length	Angle	
Revision	A	-	-	
Date	10/09/24			
		Units: Metric (mm)		
		This drawing is confidential and copyright of Global Connector Technology, Ltd (GCT). This drawing must not be copied or disclosed without written consent. E & OE		
Not to Scale		Drawn By	KY	Sheet No.
				3/4

1 2 3 4 5 6 7 8

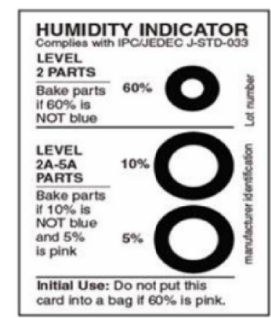
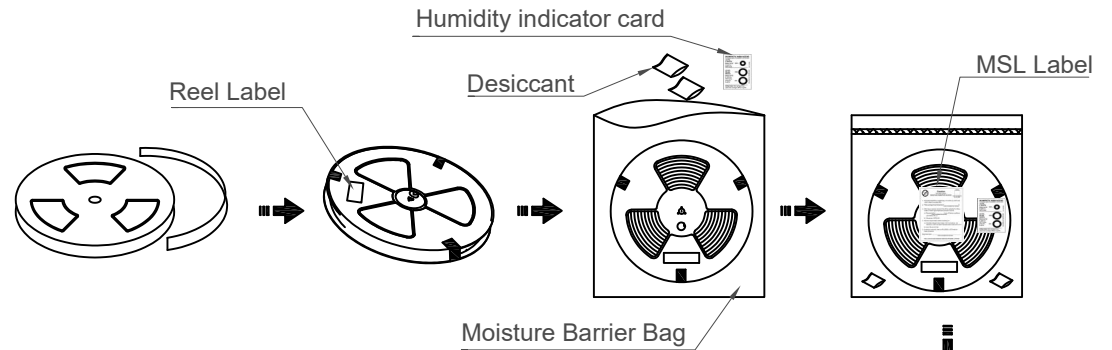
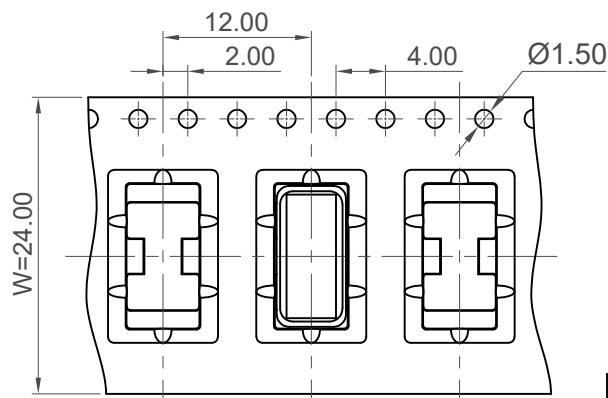
H
G
F
E
D
C
B
A



Direction of Unreeling →



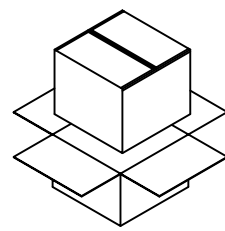
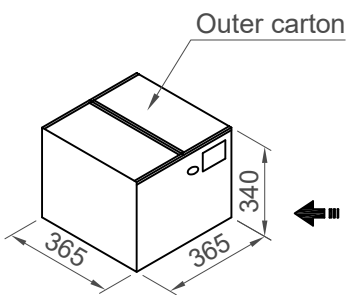
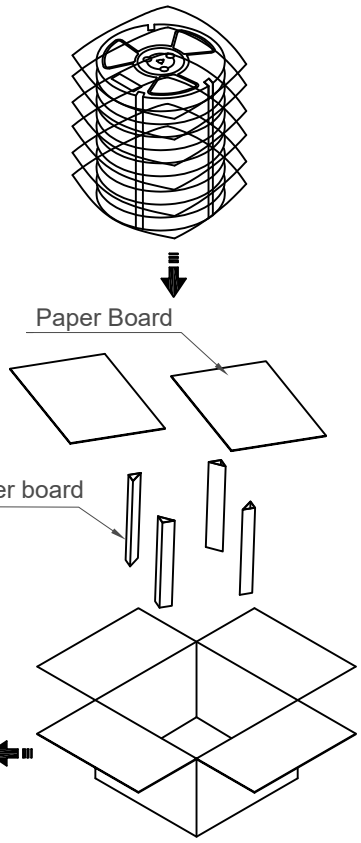
Direction of Unreeling →



Humidity indicator card



MSL Label



Pcs / Reel	Reels / Carton	Total Quantity
600	10	6,000 pcs

Part Number		Product Description	
USB4725		USB3.2 Gen2 Type C Receptacle, Vertical, SMT, IP67, 24 Pin	
Drawing Date		10th September 2024	
By	CC	Tolerances (Except as Noted)	Units:
Detail	Drawing Release	Length	Metric (mm)
Revision	A	Angle	3rd Angle Projection
Date	10/09/24		



This drawing is confidential and copyright of Global Connector Technology, Ltd (GCT). This drawing must not be copied or disclosed without written consent. E & OE



Not to Scale | Drawn By KY | Sheet No. 4/4